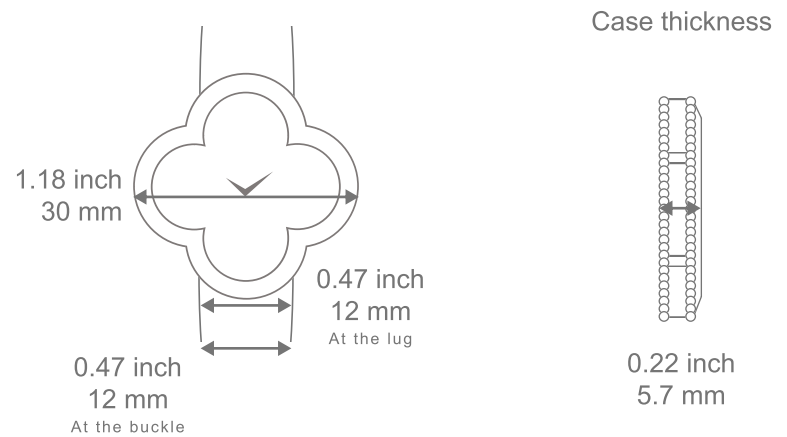
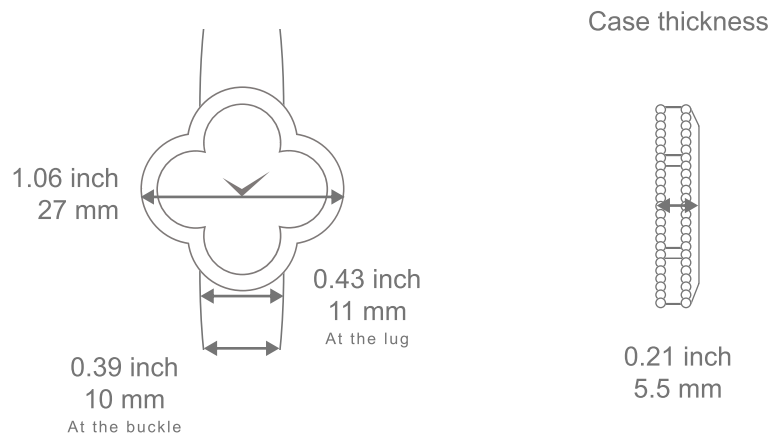


Van Cleef & Arpels

ALHAMBRA WATCHES

Size guide



Alhambra watch, small model
Paved bezel

Alhambra watch, medium model
Paved bezel

Print in actual size to see the real dimension of the case

Please note that the size guide is an indicative tool.

We recommend you to visit one of our boutiques to try the watches on in order to define which one fits you best.

© Van Cleef & Arpels-2024 All rights reserved

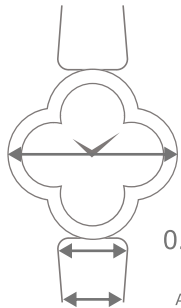
Van Cleef & Arpels

ALHAMBRA WATCHES

Size guide



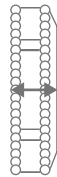
0.87 inch
22.7 mm
Including
golden beads



0.35 inch
9 mm
At the lug

0.30 inch
7.8 mm
At the buckle

Case thickness

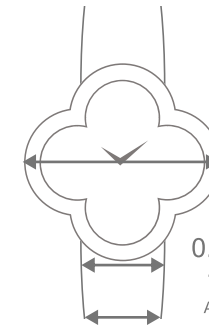


0.24 inch
6.2 mm

Sweet Alhambra watch



1.02 inch
26 mm



0.43 inch
11 mm
At the lug

0.39 inch
10 mm
At the buckle

Case thickness



0.21 inch
5.5 mm

Alhambra watch, small model

Print in actual size to see the real dimension of the case

Please note that the size guide is an indicative tool.

We recommend you to visit one of our boutiques to try the watches on in order to define which one fits you best.

© Van Cleef & Arpels-2024 All rights reserved